

# Pedestrian lowlifter truck 1.8 - 2.5 ton

## BT levio

*W-series*

LWE180

LWE200

LWE250



# Pedestrian lowlifter

Specification for lowlifter trucks						LWE180	LWE200	LWE250	
Identification	1.1	Manufacturer				BT	BT	BT	
	1.2	Model				LWE180	LWE200	LWE250	
	1.3	Drive				Electric	Electric	Electric	
	1.4	Operator type				Pedestrian	Pedestrian	Pedestrian	
	1.5	Load capacity/rated load	Q	kg		1800	2000	2500	
	1.6	Load centre	c	mm		600	600	600	
	1.8	Load distance, centre of support arm wheel to face of forks	x	mm		898	898	898	
	1.9	Wheelbase	y	mm		1287	1287	1287	
	Weight	2.1	Service weight including battery		kg		554	554	564
2.2		Axle load, with load, drive/castor/fork wheel		kg		760/150/1435	815/150/1580	950/150/1945	
2.3		Axle load, without load, drive/castor/fork wheel		kg		260/150/135	260/150/135	260/150/135	
Wheels	3.1	Drive/castor/fork wheel				Tophane/Topthane/PUR *)		Vulkollan/Topthane/Vulkollan *)	
	3.2	Wheel size, front		mm		Ø230x70	Ø230x70	Ø230x70	
	3.3	Wheel size, rear		mm		Ø85x75	Ø85x75	Ø85x75	
	3.4	Additional wheels (dimensions)		mm		Ø125x50	Ø125x50	Ø125x50	
	3.5	Wheels, number front/rear (x=driven wheels)				1x+2/4	1x+2/4	1x+2/4	
	3.6	Track width, front	b <sub>10</sub>	mm		430	430	430	
	3.7	Track width, rear	b <sub>11</sub>	mm		370	370	370	
Dimensions	4.4	Lift	h <sub>3</sub>	mm		120	120	120	
		Lift height	h <sub>23</sub>	mm		205	205	205	
	4.8	Stand height (optional platform)	h <sub>7</sub>	mm		—	150	—	
	4.9	Height of tiller in drive position, min./max.	h <sub>14</sub>	mm		865/1235	865/1235	865/1235	
	4.15	Height, fork lowered	h <sub>13</sub>	mm		85	85	85	
	4.19	Overall length	l <sub>1</sub>	mm		1688	1688	1688	
	4.20	Length to face of forks	l <sub>2</sub>	mm		538	538	538	
	4.21	Overall width	b <sub>1</sub>	mm		726	726	726	
	4.22	Fork dimensions	s/e/l	mm		78/180/1150 *)	78/180/1150 *)	78/180/1150 *)	
	4.25	Width over forks	b <sub>5</sub>	mm		550 *)	550 *)	550 *)	
	4.32	Ground clearance, centre of wheelbase	m <sub>2</sub>	mm		21	21	21	
	Performance data	5.1	Travel speed, with/without load		km/h		6/6	6/6	6/6
5.2		Lift speed, with/without load		m/s		0.04/0.05	0.06/0.09	0.05/0.09	
5.3		Lowering speed, with/without load		m/s		0.09/0.08	0.09/0.08	0.09/0.08	
5.8		Max. gradeability, with/without load <sup>2)</sup>		%		9/18 <sup>1)</sup>	9/18 <sup>1)</sup>	8/18 <sup>1)</sup>	
5.10		Service brake				Electromagnetic	Electromagnetic	Electromagnetic	
Electric motor		6.1	Drive motor rating S2 60 min		kW		1.0	1.5	1.5
		6.2	Lift motor rating at S3 15%		kW		1.0 <sup>2)</sup>	1.4 <sup>2)</sup>	1.4 <sup>2)</sup>
		6.4	Battery voltage/nominal capacity K <sub>s</sub>		V/Ah		24/225 *)	24/225 *)	24/225 *)
	6.5	Battery weight		kg		214 *)	214 *)	214 *)	
	Others	8.1	Type of drive control				BT Powerdrive	BT Powerdrive	BT Powerdrive

<sup>1)</sup> Measured according to company standard

<sup>2)</sup> S3 10%

\*) Further alternatives are available and will produce other values.

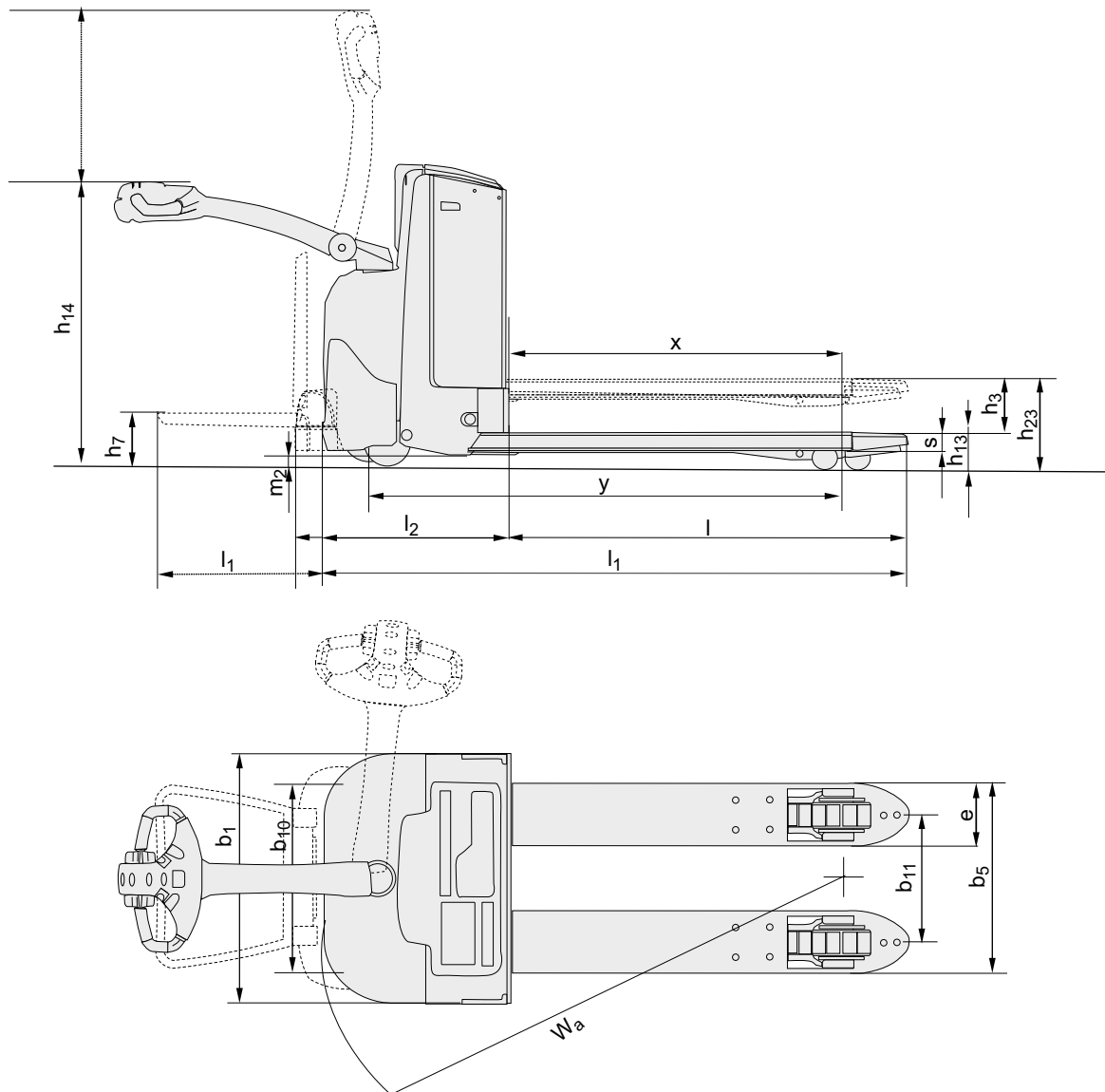
Data is based on standard configurations: Medium battery compartment.

Truck performance and dimensions are nominal and subject to tolerances.  
BT Products AB products and specifications are subject to change without notice.

# Battery dependent dimensions

# BT levio

Dimensions		Battery change		LWE180		LWE200			LWE250		
				Lift out		Lift out		Sideways	Lift out		Sideways
		Battery Compartment	Medium	Large	Medium	Large	Large	Medium	Large	Large	
1.9	Wheelbase	y	mm	1287	1337	1287	1337	1337	1287	1337	1337
4.19	Overall length without platform with platform up/down	$l_1$	mm	1688	1738	1688	1738	1738	1688	1738	1738
				—	—	1773/2163	1823/2213	1823/2213	—	—	—
4.20	Length to face of forks without platform with platform up/down	$l_2$	mm	538	588	538	588	588	538	588	588
				—	—	623/1013	673/1063	673/1063	—	—	—
4.33	Aisle width for pallets 1000x1200 crossways without platform with platform up/down	$A_{st}$	mm	1899	1948	1899	1948	1948	1899	1948	1948
				—	—	1984/2384	2033/2433	2033/2433	—	—	—
4.34	Aisle width for pallets 800x1200 lengthways without platform with platform up/down	$A_{st}$	mm	1949	1998	1949	1998	1998	1949	1998	1998
				—	—	2034/2434	2083/2483	2083/2483	—	—	—
4.35	Turning radius without platform with platform up/down	$W_a$	mm	1447	1496	1447	1496	1496	1447	1496	1496
				—	—	1532/1932	1581/1981	1581/1981	—	—	—
6.4	Battery voltage, nominal capacity $K_s$		V/Ah	24/225	24/300	24/225	24/300	24/260	24/225	24/300	24/260
6.5	Battery weight, min.—max.		kg	180—220	220—270	180—220	220—270	220—230	180—220	220—270	220—230



---

## Truck features:

- BT Powerdrive System
- BT Castorlink System
- Click-2-creep
- Fingertip controls
- Temporary speed reduction - turtle button (option)
- Electronic braking system
- Electronic speed control
- Operator safety
- Storage compartments
- Automatic switch-off
- Programmable performance
- Easy access for maintenance
- Built in charger (option)
- Toyota I\_site: truck fleet management system (option)
- Hydraulic oil for low temperatures
- Flip-up platform for LWE200 (option)

